

I: GLAZING MATERIAL

- |                                             |                          |
|---------------------------------------------|--------------------------|
| INNER                                       | OUTER                    |
| ACRYLIC DOME <input type="checkbox"/>       | <input type="checkbox"/> |
| POLYCARBONATE DOME <input type="checkbox"/> | <input type="checkbox"/> |

2: GLAZING COLOR

- |                                      |                              |
|--------------------------------------|------------------------------|
| CLEAR <input type="checkbox"/>       | <input type="checkbox"/>     |
| BRONZE <input type="checkbox"/>      | N/A <input type="checkbox"/> |
| WHITE <input type="checkbox"/>       | <input type="checkbox"/>     |
| OTHER _____ <input type="checkbox"/> | <input type="checkbox"/>     |

3: FRAME FINISH

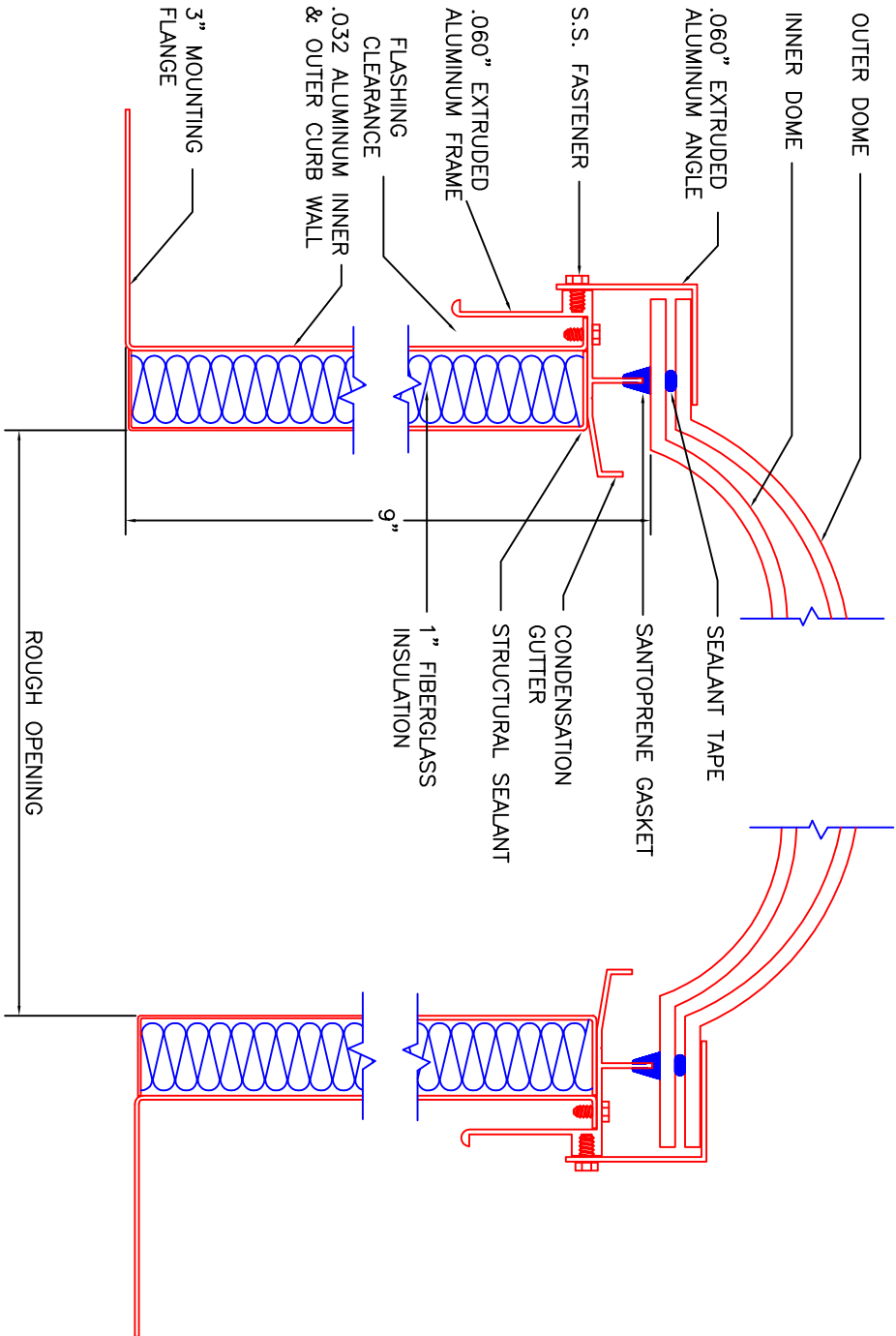
- |                                             |                          |
|---------------------------------------------|--------------------------|
| MILL <input type="checkbox"/>               | <input type="checkbox"/> |
| BRONZE ANODIZED <input type="checkbox"/>    | <input type="checkbox"/> |
| CLEAR ANODIZED <input type="checkbox"/>     | <input type="checkbox"/> |
| CUSTOM COLOR _____ <input type="checkbox"/> | <input type="checkbox"/> |

4: PYRAMID PITCH (OPTIONAL)

- |                                                       |                          |
|-------------------------------------------------------|--------------------------|
| 22 DEGREE (1/2 WIDTH X .414) <input type="checkbox"/> | <input type="checkbox"/> |
| 30 DEGREE (1/2 WIDTH X .577) <input type="checkbox"/> | <input type="checkbox"/> |
| 40 DEGREE (1/2 WIDTH X .839) <input type="checkbox"/> | <input type="checkbox"/> |

FOR SELF FLASHING SKYLIGHTS PROVIDE  
ROUGH OPENING OR ID OF SKYLIGHT DIMENSION

- |      |        |   |
|------|--------|---|
| QTY: | R.O. = | X |
| QTY: | R.O. = | X |
| QTY: | R.O. = | X |
| QTY: | R.O. = | X |
| QTY: | R.O. = | X |



9" INSULATED SELF FLASHING



**AMERICAN SKYLITES**  
525 113th STREET ARLINGTON, TEXAS 76011  
Phone 800.772.7401 Fax 800.445.7282

SPECIFICATIONS		
TEST METHOD	TEST PRESSURE	ALLOWED
AIR INFILTRATION ASTM E283	6.24 PSF (50 MPH)	0.03 CFM/FT
WATER PENETRATION ASTM E547/E331 UNIFORM LOAD ASTM E330	TEST PRESSURE 15.0 PSF POSITIVE 69.0 PSF NEGATIVE 75.0 PSF	NO LEAKAGE 60.0 PSF MIN 40.0 PSF MIN